

# PRODUCT DATA SHEET

October 2000



Charter Member  
International FireStop Council

## Metacaulk® 835+ Silicone Firestopping Sealant

Classified Through-Penetration Firestop System Numbers C-AJ-1035, C-AJ-1037, C-AJ-1115, C-AJ-1059, C-AJ-7028, C-AJ-1250, C-AJ-1427, C-AJ-1248, C-AJ-0057, C-AJ-3126, C-AJ-3127, C-AJ-1261, C-AJ-1263, W-L-1013, W-L-1034, W-L-3028, W-L-3029, W-L-7012, W-L-0008, W-L-1132, W-L-3104, W-J-1018, W-J-3013, W-J-3014, H-WS-0023, H-WS-0025, W-WS-1025, F-FS-1021, F-WS-1008, F-FS-1025

### 1. Product Description

Metacaulk® 835+ is a one component, fire-rated elastomeric neutral, moisture cure silicone sealant for use in through-penetration firestops. In the event of a fire, Metacaulk® 835+ will prevent the spread of flames, smoke, gas and water through penetration openings. Metacaulk® 835+ is a flexible, non-slumping sealant with excellent moisture resistance. For use in interior or exterior expansion and control joints and interior or exterior penetrations. Because Metacaulk® 835+ is silicone based, it can be used in systems where dynamic movement is expected.

Use Metacaulk® 835+ for various penetrations:

- EMT, Semi-Rigid, and Rigid Conduit
- Steel Pipe
- Wall to Decking Transition Joints
- Wall to Floor Transition Joints
- Wall to Wall Control Joints
- Floor to Floor Control Joints

### Metacaulk® 835+ Features

- \* A single component penetration sealant system - no mixing necessary and no required additives.
- \* Use in Interior or Exterior Expansion, Contraction and Control Joints.
- \* Use in Exterior and Interior Penetrations.
- \* Neutral, Moisture Cure
- \* D O T Classification is Not Regulated.
- \* Non-Slump Formula.
- \* Applied with a conventional caulking gun, trowel or with pumping equipment.
- \* A special purpose firestop sealant.

### Metacaulk® 835+



### 2. Material Properties

Asbestos Fillers	None
Application	Standard 10.15 oz (300 ml) Caulking Tubes & 5 Gallon (18.9 L) Pails
Color	Gray
Cure Time	21 Days
Elongation at Break (ASTM D412)	600%
Volatile Solvents	None
Volume Coverage	
(cu in/10.15 oz tube)	18
(cu cm/300 ml)	295
(cu in/gal)	231
(cu cm/L)	1000
Working Time	5-15 min.
Specific Gravity	1.33
Dielectric Strength (ASTM D149)	479 V/mil (19.0 kV/mm)

### ASTM E 84, UL 723 Tunnel Test

Flame Spread Index	< 10
Smoke Index	< 25

Service Temp Range -60½F to 300½F (ASTM C1299) (-51½C to 149½C)

Metacaulk® 835+ meets ASTM C920, Type S, Grade NS, Class 25, Use NT, M, G, A, O and Can/CGSB-19.13-M87, Class MCG-2-40-A-L.

### 3. Applications

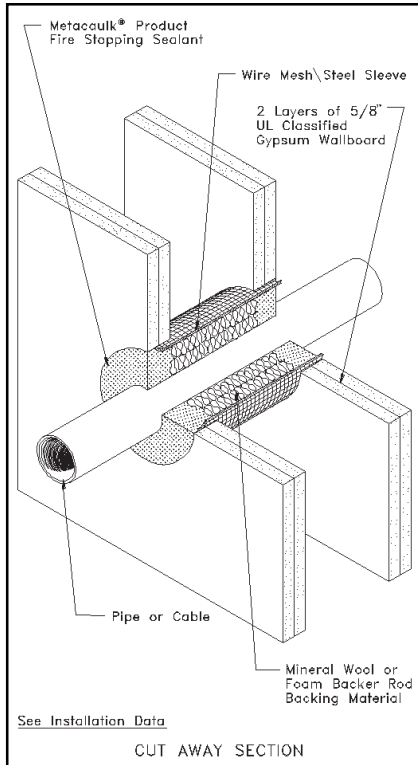
Metacaulk® 835+ is used to seal wall and floor penetrations for electrical, plumbing, pipe and telephone communication systems penetrations. Non-Slump Metacaulk® 835+ formula is used in vertical and horizontal applications. Use Metacaulk® 835+ to prevent the spread of fire through fire rated gypsum wallboard partitions, concrete block or concrete walls and concrete floors.

### 4. Installation Data (typical)

Install Metacaulk® 835+ using standard caulking techniques or trowel from pails.

#### TYPICAL GYPSUM WALLBOARD INSTALLATION

- Step 1)** Cut opening in floor or wall.
  - Step 2)** Clean penetration opening and surfaces from loose debris, dirt, oil and wax.
  - Step 3)** Install wire mesh if required. Form wire mesh into cylinder to match hole diameter. Slip wire mesh inside wall along penetrating item and allow mesh to spring back against hole.
  - Step 4)** Install backing material if required.
  - Step 5)** Gun the sealant as required to the specified depth. Trowel surface flush with wall.
- (Application designs vary, please contact The RectorSeal Corporation for exact details.)



## 5. Test Data

Metacaulk® 835+ is Classified by Underwriters Laboratories Inc. as a Fill, Void, or Cavity Material. For specific test criteria see UL Fire Resistance Directory or call RECTORSEAL.

Metacaulk® 835+ was tested at a minimum 0.01 inches (2.5 Pa) water, positive pressure, in accordance with UL 1479 and ASTM E 814 test standards.

Through-Penetration Firestop, UL System Numbers W-J-1018, W-J-3013, W-J-3014, W-L-1013, W-L-1034, W-L-3028, W-L-3029 & W-L-7012 are for use in gypsum wallboard with steel or wood studs and for use in concrete block construction. UL System Numbers C-AJ-1115, C-AJ-1035, C-AJ-1037, C-AJ-1059 & C-AJ-7028 are for use in concrete or concrete block wall and concrete floor construction.

## 10. LIMITED WARRANTY

RectorSeal makes the Limited Express Warranty that at the date of delivery this product will be free from defects in RectorSeal materials and workmanship. THIS LIMITED EXPRESS WARRANTY IS EXPRESSLY IN LIEU OF ANY OTHER EXPRESS OR IMPLIED WARRANTIES, INCLUDING ANY IMPLIED WARRANTY OF MERCHANTABILITY OR FITNESS FOR A PARTICULAR PURPOSE, AND OF ANY OTHER OBLIGATION ON THE PART OF RECTORSEAL. The sole remedy for breach of the Limited Express Warranty shall be the refund of the purchase price. All other liability is negated and disclaimed, and RectorSeal shall not be liable for incidental or consequential damages.

Suggestions and recommendations covering the use of our products are based on our past experience and laboratory findings. However, as we have no control as to the methods and conditions of application, we only assume responsibility for the uniformity of our products within manufacturing tolerances.

## 6. Storage & Handling

Metacaulk® 835+ is not to be stored in areas where the temperatures exceed 90½ F (32½ C) or drop below 40½ F (4½ C). Keep products stored under protective cover, in their original containers. Products have a minimum shelf life of 1 year subject to re-inspection thereafter. A stock rotation program is recommended.

For additional technical service,  
call: 713-263-8001 or 1-800-231-3345  
Fax: 713-263-7577 or 1-800-452-2824

## RECTORSEAL

2601 Spenwick Drive, Houston, Texas 77055  
www.rectorseal.com  
www.metacaulk.com

## 7. Availability

Metacaulk® 835+ is available in:

10.15 oz. (300 ML) standard caulking tubes and 5 gallon (18.9 L) pails

## 8. Limitations

Do not use Metacaulk® 835+ in computer rooms without first consulting RectorSeal.

## 9. CAUTIONS

**FOR CHEMICAL EMERGENCY, SPILL, LEAK, FIRE, EXPOSURE OR ACCIDENT, CALL CHEMTREC-DAY OR NIGHT 1-800-424-9300.**

### CONTAINS: Silicones. PRECAUTIONS:

Do not take internally. May cause eye, skin, and respiratory tract irritation. Wear gloves and safety glasses. Wash after handling. **FIRST AID:** For any overexposure or if skin irritation develops, get immediate medical attention after first aid is given. **EYES** - Flush for 15 minutes with clean water. **SKIN** - Wash with soap and water. Do not use solvents to remove from skin. **INHALATION** - Remove to fresh air. **INGESTION** - DO NOT INDUCE VOMITING. **SPILLS** - Clean up immediately with scrapers and mineral spirits. **STORAGE AND HANDLING** - Keep container upright and tightly closed. Do not reuse container. **KEEP OUT OF REACH OF CHILDREN.**

For additional information, refer to Material Safety Data Sheet